

VIVA

sebel®

Spectator seating that creates great moments and brings stadiums to life



Proven products that go the distance, creating great moments and bringing stadiums to life

For over 60 years, Sebel has sweated the small stuff to ensure we have the best products that do the job and go the distance.

Our high performing spectator seating products have been the go-to choice for hundreds of stadiums, grand stands, lecture theatres and halls around the globe.

Chances are, you've sat on our Viva!



Viva: plastic seat and back



Viva: upholstered seat and back

Whether you've been cheering your team on at the Sydney Cricket Ground, engrossed in a university lecture or backing your favourite footy team at your local sporting ground, the chances are that you've probably enjoyed the moment from the comfort of our Viva.

The ultimate in flexibility, Viva's clever modular design means there is a model of Viva to suit any application from general admission seating right up to premium seating.

Plus, it's unique patented design simplifies the installation process and eliminates the worry and cost of ongoing maintenance associated with spectator seating.

With sweeping curves and contoured body, Viva ensures maximum comfort and superior durability for all indoor and outdoor applications.

Viva's clever design offers high performance features

- Premium quality UV resistant Polypropylene will keep your Viva seating looking as good as new
- Sweeping curves and contemporary shape will ensure your venue will always be stylish
- The distinctive shape and full size seat and back supports even the most generous of users, ensuring lasting comfort
- Waterfall front edge gives extra knee support where needed, maximising comfort for long sitting periods
- Clean, uncluttered mouldings make the seats much easier to clean and reduces your ongoing maintenance and costs
- Cleverly designed to ensure maximum seat sizing without diminishing your venue capacities
- Careful detailing and hidden fixings to prevent tampering and eliminate trap points, increasing spectator safety



Viva offers a variety of options



Branding/sponsorship options
Stamp/embroider your logo for branding and revenue generation opportunities.



Upholstered seat and back pad
Upholstery options available for premium seating options.



Armrests with cupholders
Optional polypropylene armrest with cupholder is perfect for premium seating areas. Design is reversible for front or rear mounting.



Range of backrest styles
Available in a range of different backrests to compliment any venue design requirements.



Folding Tablet Arms
Generous "anti panic" tablet arms make it the ideal choice for lecture and auditorium seating.



Designed for a range of mounting options
Suits retractable and telescopic platforms as well as pedestal, riser or sloping floor mounting. Perfect for any application from indoor arenas, stadiums and educational facilities.

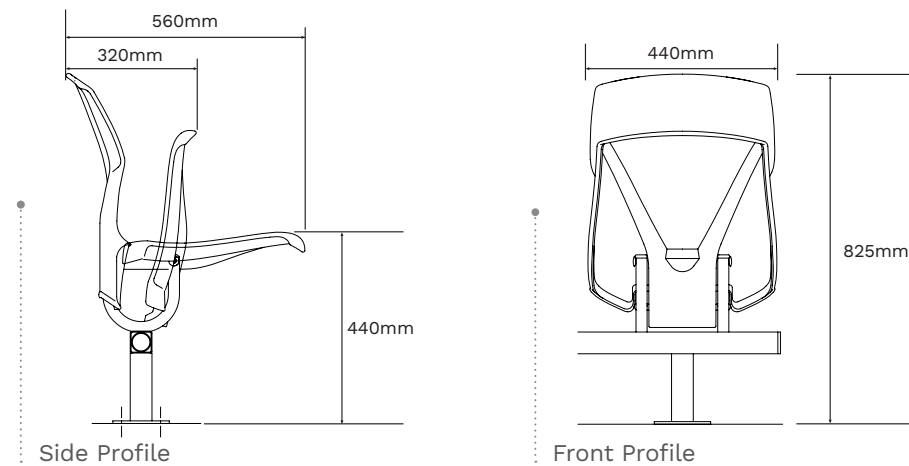
Row and Seat identification
Seat numbering on front lip and Row lettering available

Fire rated
Seats can be moulded with Fire resistant additives to comply with specifications

GPO and/or USB Power
General purpose outlets and/or USB ports can be incorporated into the seats



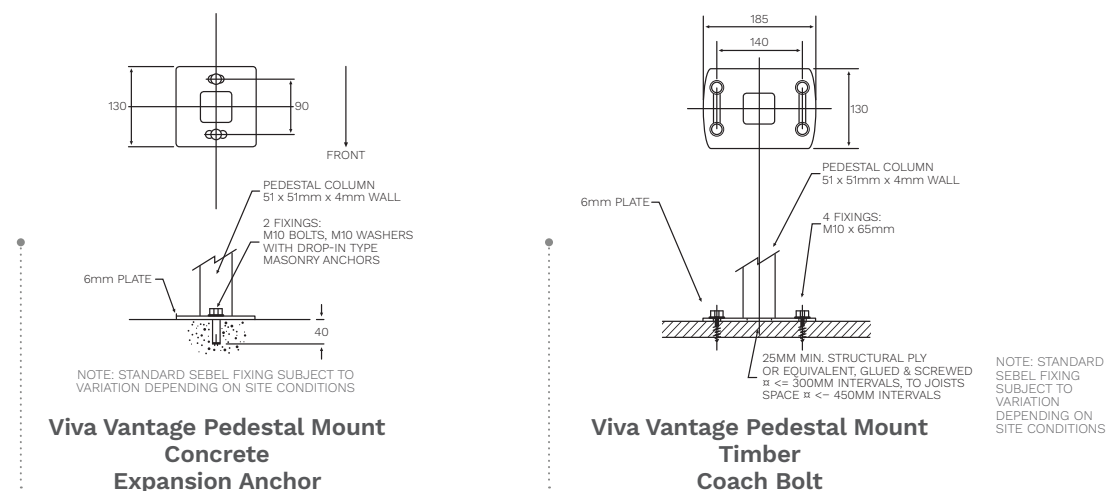
Viva's distinctive shape and full size seat and back supports even the most generous of users, ensuring lasting comfort



Viva layout dimensions

	Seat Centre's (mm)	Tread Depth Minimum (mm)	Width (mm)	Depth (mm)
Viva Vantage	460, 480, 500, 520	800	440	320
Viva with armrests	Minimum 510	840	505	490
Viva with cupholders	Minimum 515	840	510	425
Viva with A4 size tablet	Minimum 530	835	530	490
Viva with A3 size tablet	Minimum 530	900	530	490

Available for both concrete and timber mounts



Superior seating matched with superior services

When it comes to high performing, built to last products, Sebel is unrivalled. Our design philosophy and extensive project experience will ensure your project is hassle-free from start to finish, and gives you the best cost of life for your venue seating.

CAD designs & seating layouts

We have the experience, design tools and resources including custom 2D and 3D CAD drawings and floor plans to assist you when creating your ideal seating layout.

Project management & Installation

Our team of experienced project managers will ensure your installation is hassle-free from start to finish.

Spare Parts

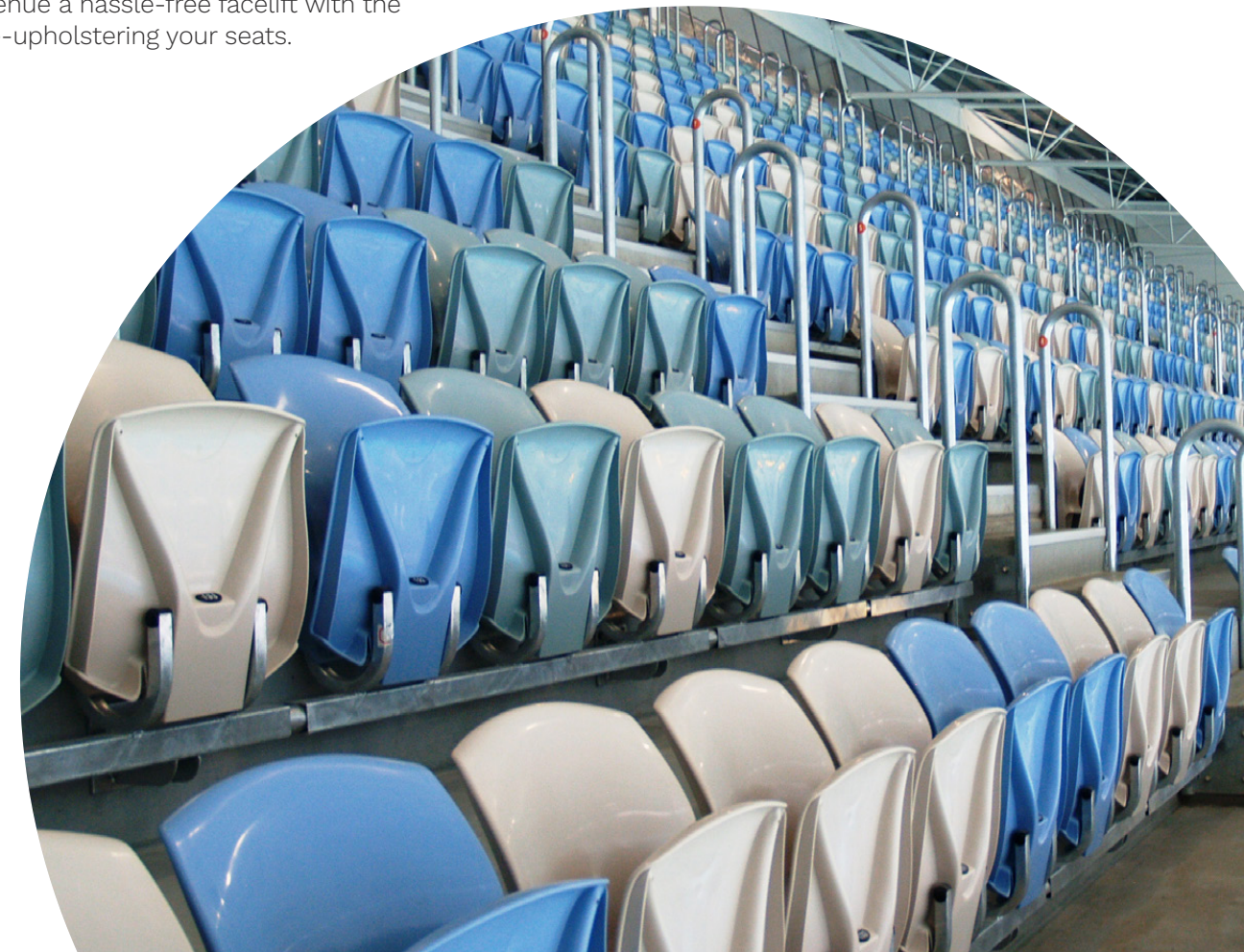
Sebel has an extensive range of spare parts available to keep your seating safe and looking good over the decades.

Seat Replacement

Cleverly designed so you can swap out your seating and upgrade your venue with minimum fuss and cost.

Seat Re-Upholstery

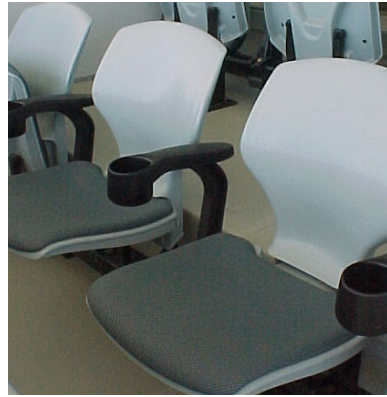
Give your venue a hassle-free facelift with the option of re-upholstering your seats.





Proudly Australian

For over 60 years, we have been making great products that are designed to perform and provide lasting value.



Get in touch with us today

✉ sales@sebel furniture.com ☎ 1300 664 732 🌐 www.sebel furniture.com

📱 @sebel furnitureau 🐦 @sebel furniture 📺 @sebel furnitureau

Sebel reserves the right to change information and specifications without notice. The content provided is correct at time of publication and supersedes all previous versions published.