

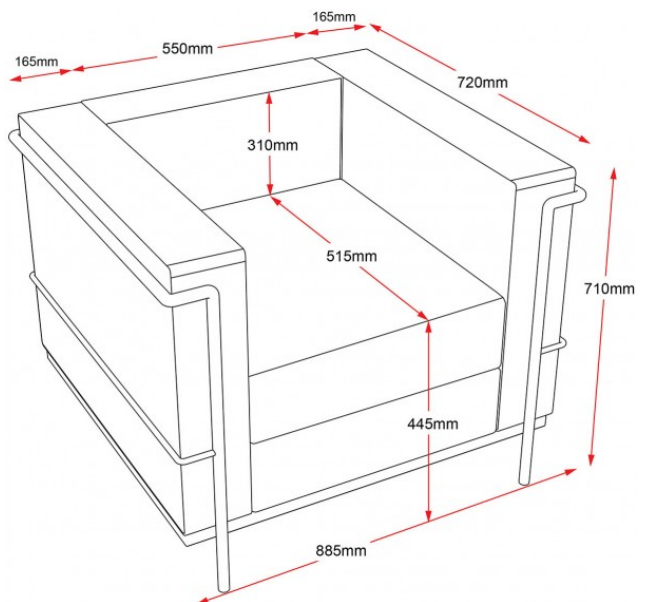


SINGLE SEATER SPACE LOUNGE CHROME WRAP AROUND FRAME

- Chrome Wrap Around Frame - 150 Kg Weight Rating
- Black PU Leather Upholstery Throughout - Adjustable Feet For Levelling Purposes
- Tested To BS EN 12520:2015 Standard

SKU: SPACE1

GALLERY IMAGES



PRODUCT DESCRIPTION

Enhance your reception area with this timeless design. Arm chair with chrome frame and feet and upholstered in cleanable black PU.

Backed by a 3 year warranty.

Finishes:



Specifications

SKU	BACK HEIGHT	SEAT DEPTH	SEAT WIDTH	SEAT HEIGHT
SPACE1	310mm	515mm	550mm	445mm

Box Dimensions

Box Number	Width	Depth	Height	CBM	Weight
1	900mm	780mm	720mm	0.51	37kg



Q Office Furniture
02 63 62 3530
enquiries@qof.com.au
www.qof.com.au