

SEBEL ASTRAL OTTOMAN

Collaborative and Modular seating system



The Astral ottoman is the perfect addition to brighten up learning spaces. Get creative and configure in clusters for collaborative group learning or separate for quiet thinking. Enhance any breakout and library area with these modular soft furnishings.

Features:

- Durable; High quality foam cushioning
- Lightweight and strong; Solid timber frame
- Comfortable
- Easy to move around glides.
- Modular works as standalone or configure cluster

Options:

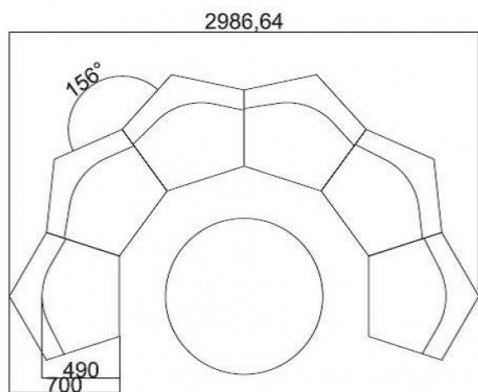
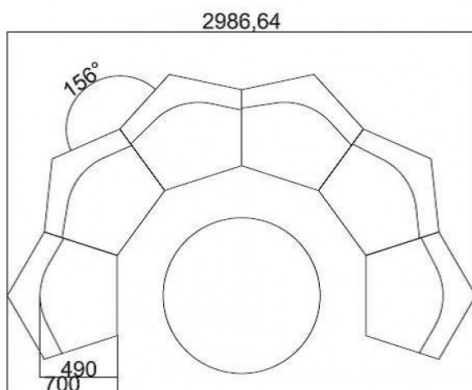
Available with two power sockets (240 V, 10 Amp) and two USB port sockets

- Power cable length extends to 1.7m
- Castors are a viable option if you do not wish to have power sockets.
- Glides are available with or without power sockets.

[Download the Sebel Astral Ottoman Brochure Here](#)

SKU: Sebel Astral Ottoman

GALLERY IMAGES



PRODUCT DESCRIPTION

SPECIFICATIONS

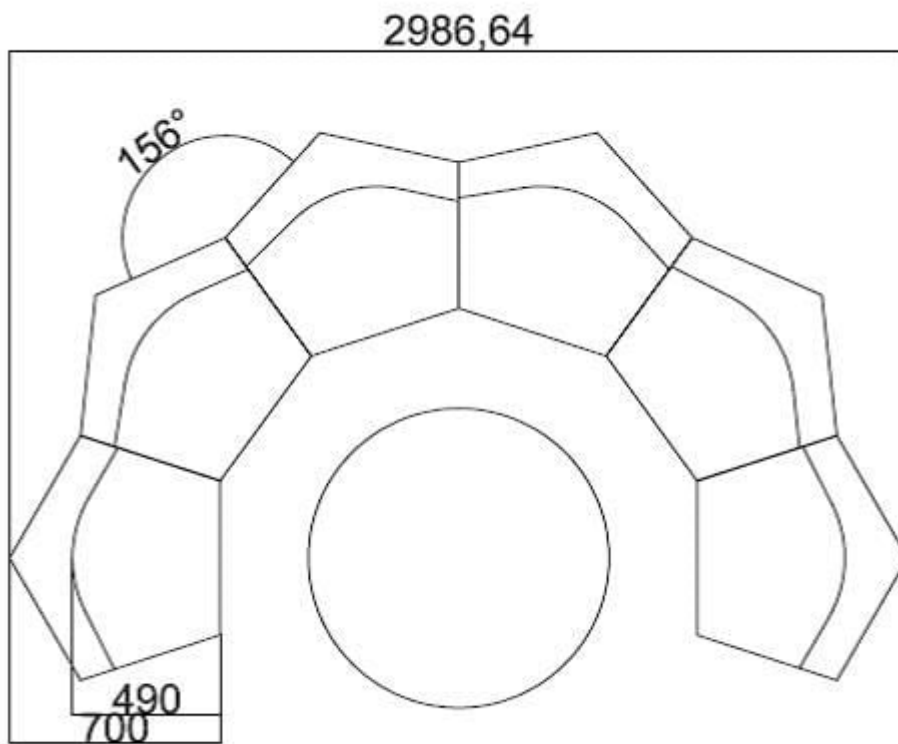
Dimensions	Astral
-------------------	---------------

W x D x H	817mm x 690mm x 715mm
Seat Height	430mm

Colours:

Available in a wide range of vinyls and fabrics. Please contact Sebel for more information.

CONFIGURATION EXAMPLE





Q Office Furniture
02 63 62 3530
enquiries@qof.com.au
www.qof.com.au