



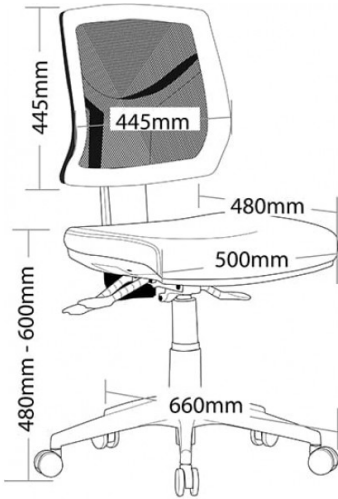
## VESTA MVE350

- Adjustable seat height
- Adjustable back height (ratchet)
- Adjustable seat angle (with 3 lever mechanism only)
- Adjustable back angle
- Optional adjustable arms
- Optional seat depth (seat slider) (not available on drafting chair)
- Optional drafting kit
- Optional 2 or 3 lever mechanism
- Available in high and low back
- Moulded seat foam
- Mesh back
- Square seat
- 660mm black nylon base
- Available in local fabrics
- Back mesh available in Jazz mesh
- AFRDI tested to level 6
- Suitable for indoor use only
- 7 year warranty
- Weight limit is 130kg

---

**SKU:** N/A

## GALLERY IMAGES



WARRANTY

**7**  
Year

WEIGHT LIMIT

**130**  
Kilogram

