

AUTEX® QUIETSPACE 3D TILE S-5.53



Application:

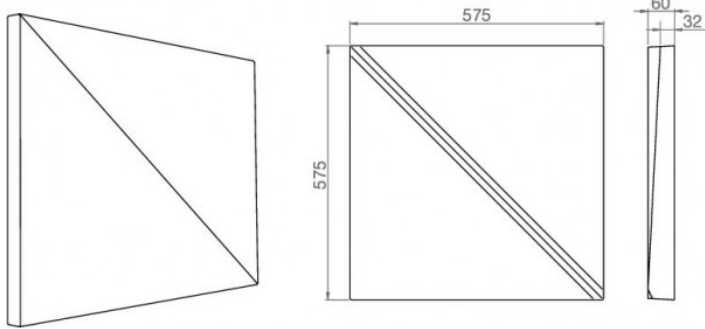
Decorative and functional acoustic surface for residential, office, education, retail, hospitality and commercial interiors. Minimise noise in the interior environment and create unique finishes and features

Specification:

- Product Name: Quietspace® 3D Tile
- Style: S-5.53
- Composition: 100% Polyester Fibre (PET)
- Tile Dimensions: Classic: 575mm x 575mm
- Thickness Min: 32mm Max: 60mm
- Pack Size: 6 Tiles per box
- Installation Fittings: Mounting Clips supplied

SKU: VCAUTEXQS3DWALL553

GALLERY IMAGES



PRODUCT DESCRIPTION

Open the realms of acoustic design flexibility with Quietspace® 3D Tile; a modular acoustic wall tile designed to create a contemporary finish and add simple and effective acoustic control to any interior environment.

Lightweight and semi-rigid; Quietspace® 3D Tile redefines sustainable design whilst reducing reverberated sound and controlling background noise. Made from 100% polyester and containing a minimum of

60% post-consumer recycled material, Quietspace® 3D Tile is completely safe, non-toxic, non-allergenic, non-irritant and certified low VOC.

Suitable for residential, office, education, retail and hospitality spaces; redefine your environment with Quietspace® 3D Tile..

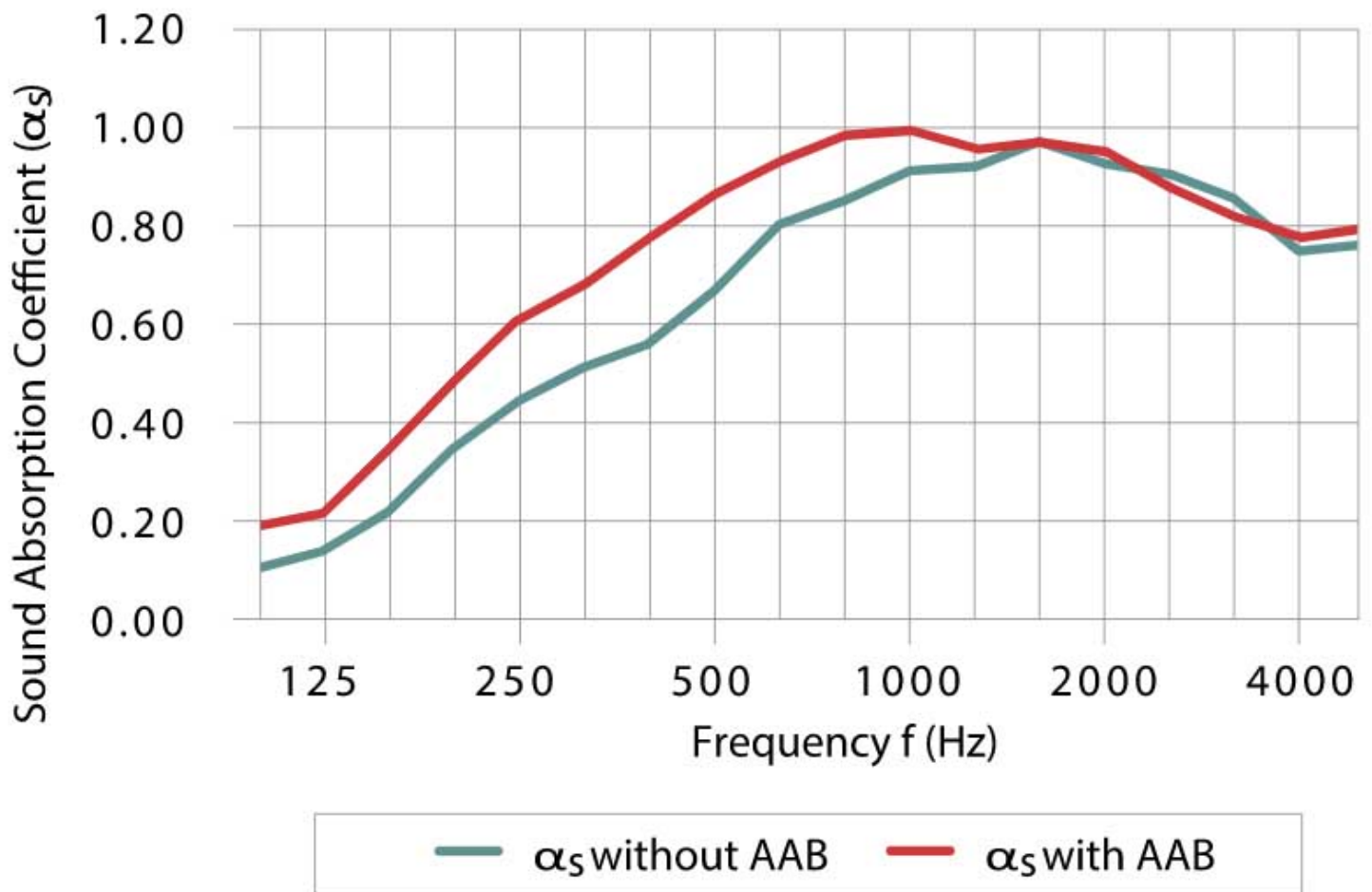
Acoustic Performance:

Quietspace® 3D Tile is specifically designed to reduce and control reverberated (echo) noise in



building interiors.

Minimum Noise Reduction Coefficient 0.75



Frequency (Hz)	125	250	500	1000	2000	4000	NRC
α_p Without AAB	0.15	0.45	0.65	0.90	0.90	0.80	0.75
α_p With AAB*	0.25	0.60	0.85	1.00	0.95	0.80	0.90

* Results with the addition of Autex AAB 35-25 polyester absorber inserts in back of tiles.



Q Office Furniture
02 63 62 3530
enquiries@qof.com.au
www.qof.com.au



Q Office Furniture
02 63 62 3530
enquiries@qof.com.au
www.qof.com.au